

Architectural Sprung Inline Lever

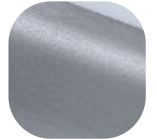


Features

- **Solid die cast construction with heavy duty spring cassette**
Sturdy feel and consistent 90 degree lever return
- **Contemporary lever and low friction nylon bush**
Easy to grip and smooth action
- **Standard handle supplied with screw and spindle pack to suit both 44mm and 70mm profiles**
Everything needed for installation included
- **Colour coordinated screw heads**
Perfectly matching hardware, even down to the smallest details
- **Wide backplate**
To suit cylinder guards and accommodate larger cylinder preparation
- **Supplied with care instructions**
Helps the homeowner to keep the hardware in optimal condition
- **Supplied fully assembled**
Simple and quick installation, no need to fit springs or lever
- **Each part packaged in a separate chamber, but supplied as a set**
No scratching of parts during transit



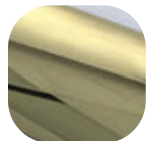
Hardex
Chrome



Hardex
Graphite



Hardex
Bronze



Hardex
Gold

Architectural Sprung Inline Lever Lever

Ordering Details

Product

Architectural Sprung Inline Lever Lever

Finish Part No.

Hardex Chrome	1W000
Hardex Bronze	1W001
Hardex Gold	1W002
Hardex Graphite	1W003

Technical Information

Corrosion resistance

Meets the requirements of BS EN 1670:2007 Grade 5 (480 hours)

Operation

Endurance tested in excess of 50,000 cycles

Performance

Tested to meet the requirements of PAS 24 as part of a compliant door set

Material Specification

Handle Grip and Backplate: High quality Zinc for all Hardex finishes

Coatings: Hardex Chrome, , Hardex Bronze, Hardex Gold, Hardex Graphite,

Spindle / Screws: Machine screws with colour coordinated heads for handle.
70mm profiles (1 x 8mm x 125mm spindle; 2x M5 x 80mm screws)
44mm profiles (1 x 8 x 110mm spindle; 2x M5 x 55mm screws)

Cylinder: Euro Cylinder, 92mm PZ

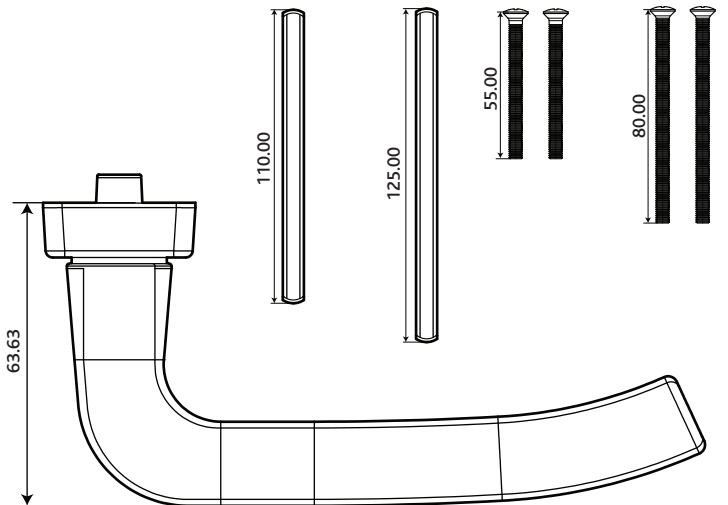
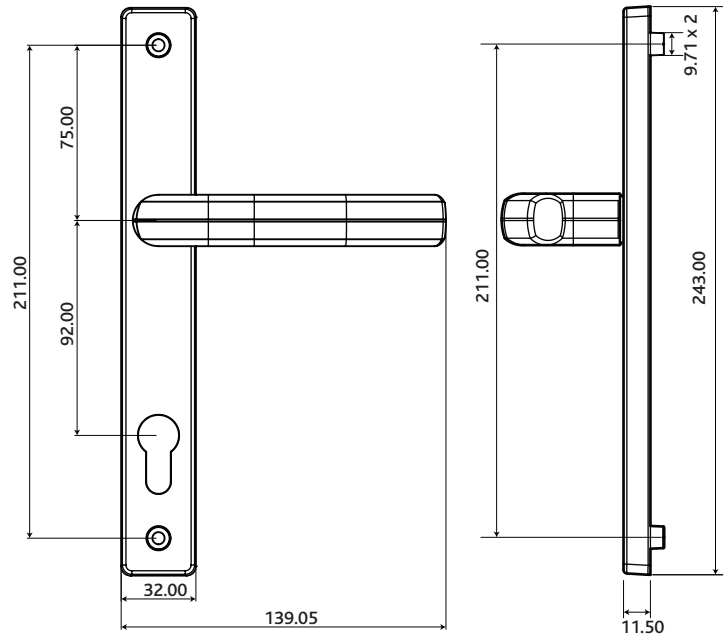
Maintenance

For continued protection of the quality finish and appearance, Fab&Fix advise routine cleaning of all our external hardware. Moving parts should also be lightly lubricated at least twice a year. This procedure is particularly essential if products are used within a 25-mile radius of coastal areas or close proximity to building sites or large industrial areas, where more frequent cleaning may be required to prevent the accumulation of corrosive contaminants.

Packaging

Handles

Individually bagged with screws, spindle and care instructions.
8 handles in an outer box.



All dimensions are in mm and are nominal.
Fab&Fix reserves the right to change specification without notice.
It is the responsibility of the door manufacturer to ensure that the finished product meets any required safety and performance specification.