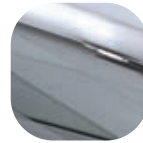


Tear Drop Handle

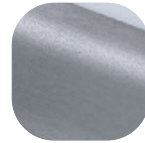


Features

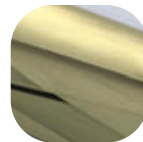
- **Elegant design inspired by 19th century ironmongery**
Classice finish to a heritage window
- **Strength tested to equivalent of a modern espagnolette window handle**
Strong espagnolette operator
- **Manufactured from die-cast zinc with specially formulated finish**
Harder wearing finish than traditional wrought iron furniture
- **Matching Tear Drop Dummy and Operating Stay also available**
Create a perfectly matching heritage window
- **Key locking**
Security enabled
- **Supplied with croppable 40mm spindle**
Allows cropping to 5mm increments



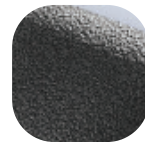
Hardex
Chrome



Hardex
Graphite



Hardex
Gold



Antique
Black

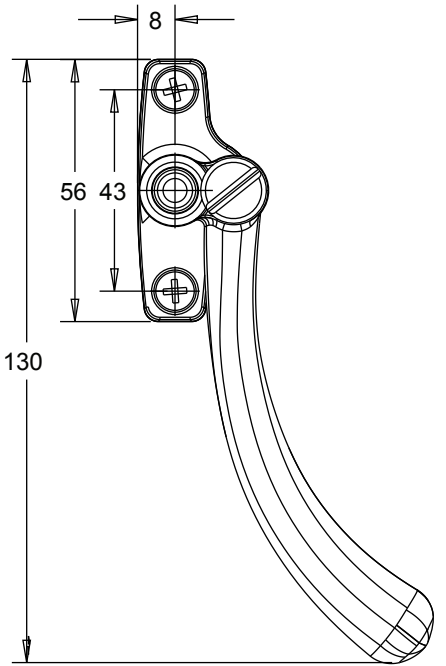
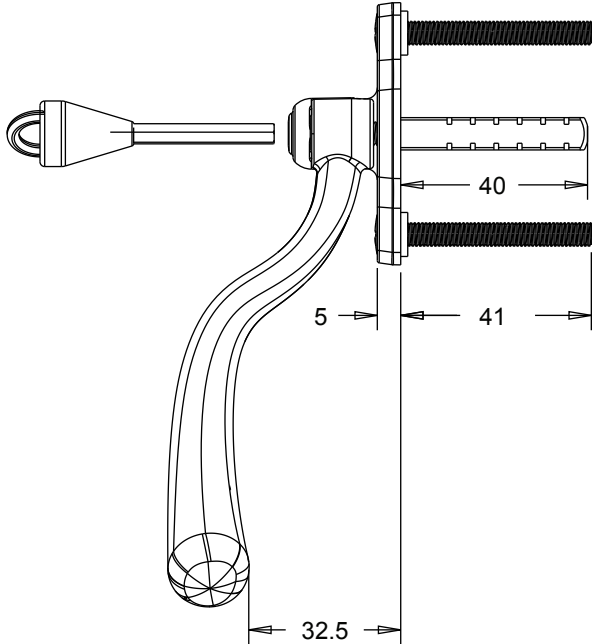
Tear Drop Handle

Ordering Details		
Product		
Tear Drop Handle		
Finish	Part No.	
	Left Hand	Right Hand
Hardex Chrome	8A099	8A095
Hardex Gold	8A100	8A096
Hardex Graphite	8A098	8A094
Antique Black	8A097	8A093

Technical Information	
Corrosion resistance Meets the requirements of BS EN 1670:2007 Grade 5 (480 hours)	
Material Specification	
Stay Bar and Plates:	High quality Zinc for all finishes
Coatings:	Hardex Chrome, Gold, Graphite and Antique Black

Maintenance
For continued protection of the quality finish and appearance, Fab&Fix advise routine cleaning of all our external hardware. Moving parts should also be lightly lubricated at least twice a year. This procedure is particularly essential if products are used within a 25-mile radius of coastal areas or close proximity to building sites or large industrial areas, where more frequent cleaning may be required to prevent the accumulation of corrosive contaminants.

Packaging
Handles Individually bagged with screws and care instructions. 40 handles in an outer box.



All dimensions are in mm and are nominal.
Fab&Fix reserves the right to change specification without notice.
It is the responsibility of the window manufacturer to ensure that the finished product meets any required safety and performance specification.