

## Contemporary Door Knocker



### Features

- **Patented face fixed plate works with all major door materials**  
Easy installation; no need to use fixing bolts or to drill through the door
- **Contemporary design**  
Create a modern and elegant front door



Hardex Chrome



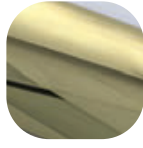
Hardex Satin



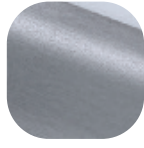
White



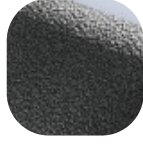
Hardex Bronze



Hardex Gold



Hardex Graphite



Antique Black

## Contemporary Door Knocker

### Ordering Details

#### Product

#### Contemporary Door Knocker

Finish	Part No.
White	4A450
Hardex Chrome	4A451
Hardex Satin	4A452
Hardex Bronze	4A453
Hardex Gold	4A455
Hardex Graphite	4A458
Antique Black	4A456

### Technical Information

#### Corrosion resistance

Meets the requirements of BS EN 1670:2007 Grade 5 (480 hours)

#### Material Specification

Knocker:	High quality Zinc
Coatings:	Hardex Chrome, Hardex Satin, Hardex Bronze, Hardex Gold, Hardex Graphite, Antique Black and White

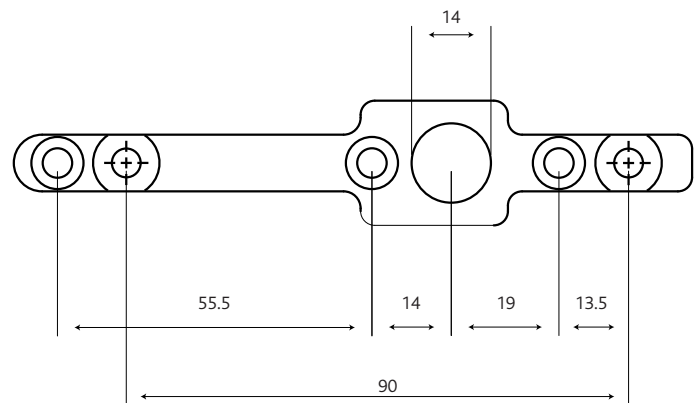
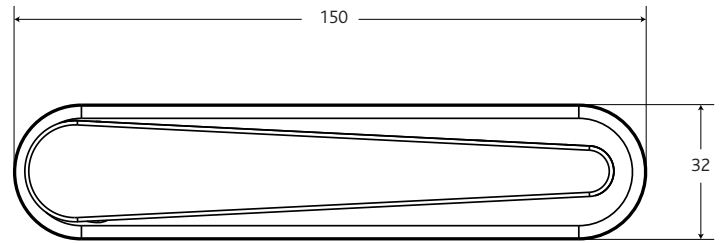
### Maintenance

For continued protection of the quality finish and appearance, Fab&Fix advise routine cleaning of all our external hardware. Moving parts should also be lightly lubricated at least twice a year. This procedure is particularly essential if products are used within a 25-mile radius of coastal areas or close proximity to building sites or large industrial areas, where more frequent cleaning may be required to prevent the accumulation of corrosive contaminants.

### Packaging

#### Contemporary

Individually boxed with fixing bracket and care instructions.  
20 knockers in an outer box.



All dimensions are in mm and are nominal.

Fab&Fix reserves the right to change specification without notice. It is the responsibility of the door manufacturer to ensure that the finished product meets any required safety and performance specification.